



FIREBIRD

G E T F I R E D U P



BLIZZARD

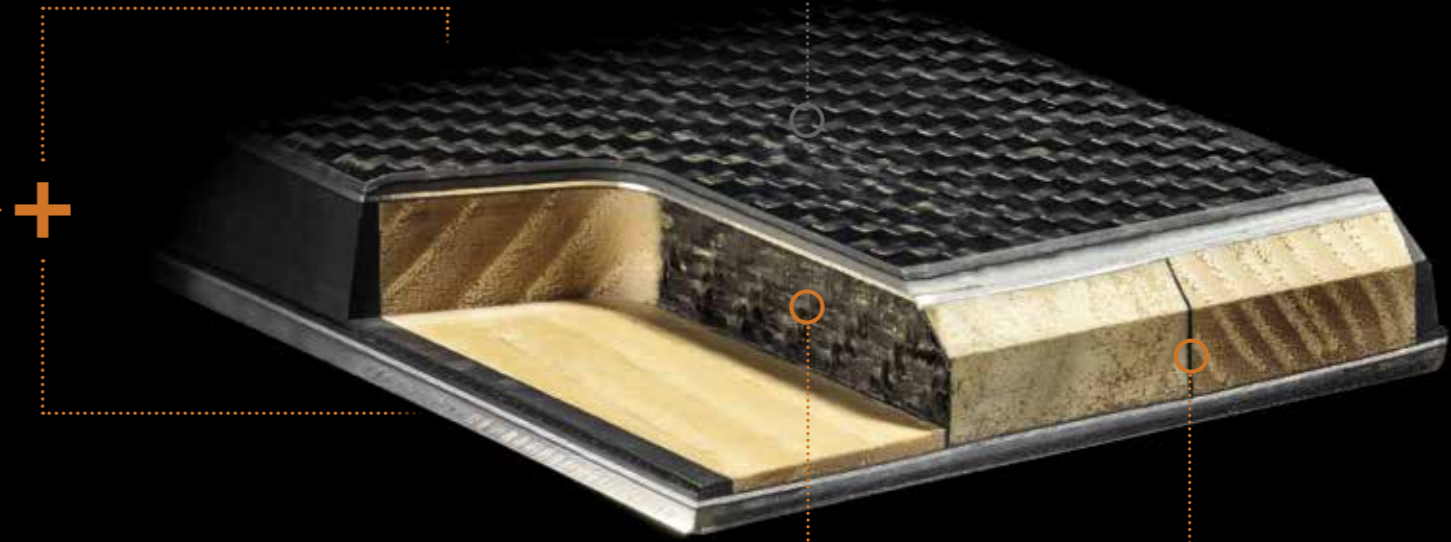
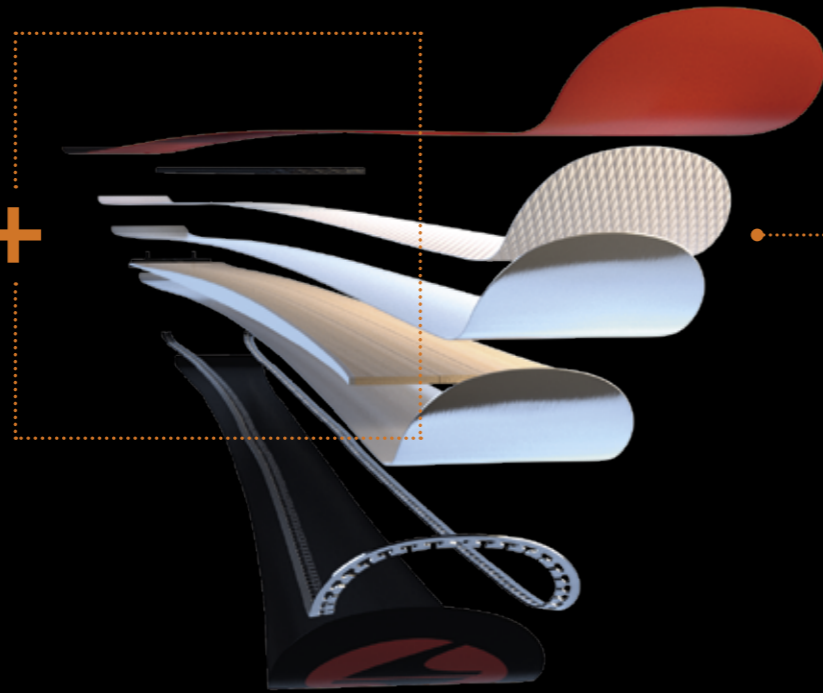
Take the control. Enjoy the response.



FIREBIRD TECHNOLOGIES

WORLD CUP CONSTRUCTION

The new Blizzard sandwich construction is built with a **double titanal layer** and **full woodcore**.



NEW!

CARBON ARMOR

Multi-directional carbon layer on the top of the ski, in the binding area.

NEW!

CARBON SPINE

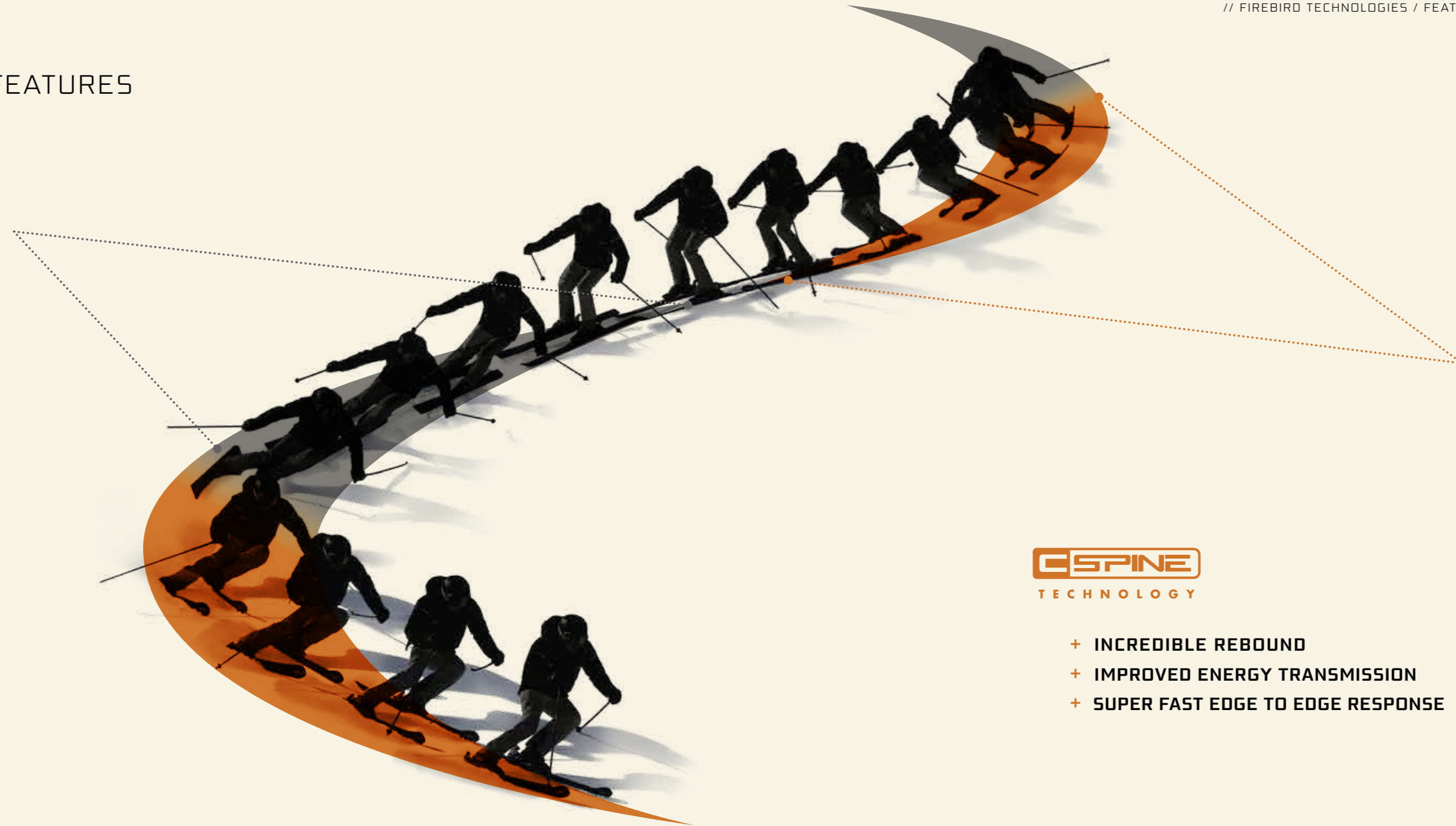
Bi-directional carbon layer vertically inserted into the woodcore construction.

FIREBIRD TECHNOLOGIES: THE FEATURES

The first part of the turn thanks to the **CARBON ARMOR** technology will be incredibly stable and super precise

CARMOR
TECHNOLOGY

- + STABILITY
- + EDGE GRIP
- + STIFFNESS UNDER FEET
- + MAXIMUM PRECISION AT THE BEGINNING OF THE TURN



The **second part of the turn** thanks to the **CARBON SPINE** technology will be faster and super dynamic

CSPINE
TECHNOLOGY

- + INCREDIBLE REBOUND
- + IMPROVED ENERGY TRANSMISSION
- + SUPER FAST EDGE TO EDGE RESPONSE

NEW FIREBIRD SHAPE

Firebird target users are looking for stable skis to approach the turn. The shovel radius is the crucial parameter to define how easily the ski carves.

WRC

CARVING LONG TURNS RADIUS

19,5 m (185 cm) - 18,5 m (180 cm) - 17,5 m (175 cm) - 16,5 m (170 cm)

Skis with long sidecuts need a shorter shovel radius to improve the beginning of the turn. The WRC shape is specifically designed for long turns.

*

SRC

CARVING SHORT TURNS RADIUS

13,5 m (170 cm) - 12,5 m (165 cm) - 12 m (160 cm) - 11 m (155 cm)

The SRC is built for short turns, therefore it features a bigger shovel radius to avoid aggressiveness at the beginning of the turn.

*

COMPETITION

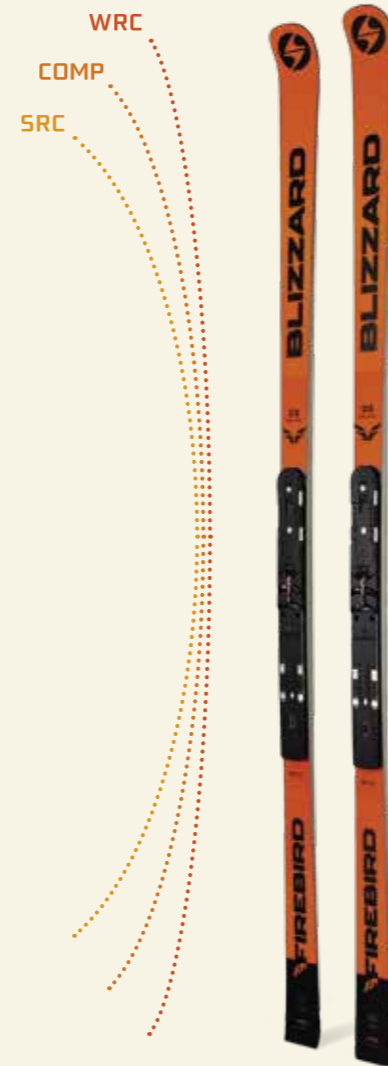
CARVING MULTI RADIUS TURNS

15,5 m (178 cm) - 14,5 m (172 cm) - 13,5 m (166 cm) - 13 m (160 cm) - 12 m (154 cm)

Blizzard Competition (race carving): shovel in between of the previous two in order to satisfy skiers who need easy-to-handle but really stable and precise skis. The Competition is built for shorter and longer turns and the radius is between the WRC and SRC.

*

* Shovel radius



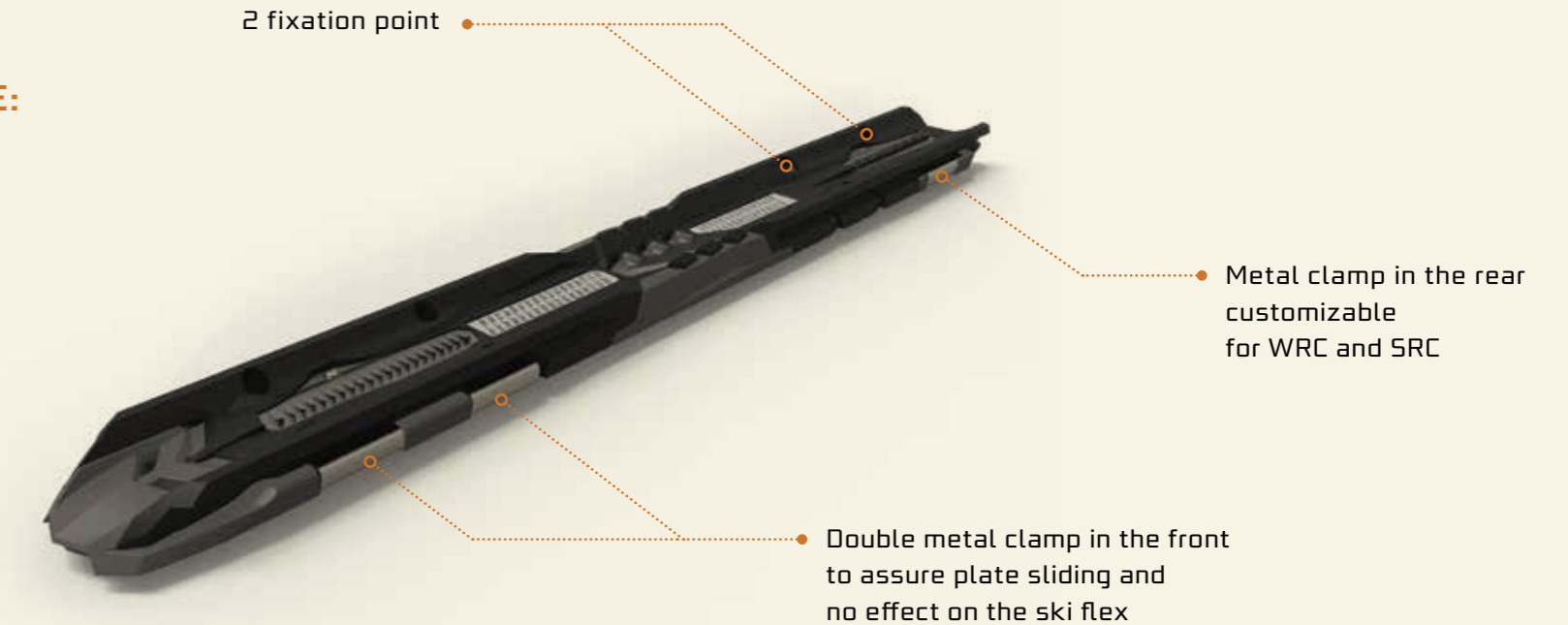
NEW FDT RACE PLATE

In addition to the Piston plate (assembled on the Fis, Wrc and Src) the firebird collection presents the new FDT Race Plate.

Same performance of the World Cup Piston Plate but **10% softer** to satisfy **the needs of daily users**.

FDT RACE PLATE:

- + CONTROL
- + STABILITY





THE
COLLECTION





**FIREBIRD WRC WC PISTON
(flat+plate)**

Cod: 8A8026 00 001

Lengths: 170-175-180-185 cm
Sidecut: 115,5-68-98,5 mm (180cm)
Radius: 16,5; 17,5; 18,5; 19,5 m
Binding: Marker WC PISTON® Plate
Construction: Sandwich
Compound Sidewall; Wood,
Titanium, Racing Construction,
C-Spine, C-Armor

**FIREBIRD SRC WC PISTON
(flat+plate)**

Cod: 8A8028 00 001

Lengths: 155-160-165-170 cm
Sidecut: 121-68-105 mm (165 cm)
Radius: 11; 12; 12,5; 13,5 m
Binding: Marker WC PISTON® Plate
Construction: Sandwich
Compound Sidewall; Wood,
Titanium, Racing Construction,
C-Spine, C-Armor

**FIREBIRD WRC
(FDT race plate)**

Cod: 8A8030 FA 001

Cod: 8A8030 EA 001

Lengths: 170-175-180-185 cm
Sidecut: 115,5-68-98,5 mm (180 cm)
Radius: 16,5; 17,5; 18,5; 19,5 m
Binding: XCELL14 DEMO (8A8030 FA 001)
XCELL12 DEMO (8A8030 EA 001)
Construction: Sandwich
Compound Sidewall; Wood,
Titanium, Racing Construction,
C-Spine, C-Armor

**FIREBIRD SRC
(FDT race plate)**

Cod: 8A8032 FA 001

Cod: 8A8032 EA 001

Lengths: 155-160-165-170 cm
Sidecut: 121-68-105 mm (165 cm)
Radius: 11; 12; 12,5; 13,5 m
Binding: XCELL14 DEMO (8A8032 FA 001)
XCELL12 DEMO (8A8032 EA 001)
Construction: Sandwich
Compound Sidewall; Wood,
Titanium, Racing Construction,
C-Spine, C-Armor

**FIREBIRD COMPETITION
(FDT race plate)**

Cod: 8A8034 AA 001

Lengths: 154-160-166-172-178 cm
Sidecut: 121-71-104 mm (172cm)
Radius: 12; 13; 13,5; 14,5; 15,5 m
Binding: TPX12 DEMO
Construction: Sandwich
Compound Sidewall; Wood, Titanium,
Racing Construction, C-Spine

**FIREBIRD RACE Ti
(FDT race plate)**

Cod: 8A8036 AA 001

Cod: 8A8036 AA 002

Lengths: 148-154-160-166-172-178 cm
Sidecut: 121-71-104 mm (172cm)
Radius: 11; 12; 13; 13,5; 14,5; 15,5 m
Binding: TPX12 DEMO
Construction: Sandwich
Compound Partial Sidewall;
Wood, Titanium

FIREBIRD Ti

Cod: 8A8038 BA 001

Cod: 8A8038 BA 002

Lengths: 148-154-160-166-172-178 cm
Sidecut: 121-71-104 mm (172cm)
Radius: 11; 12; 13; 13,5; 14,5; 15,5 m
Binding: TPC10 DEMO
Construction: Sandwich
Compound Partial Sidewall;
Wood, Titanium

**FIREBIRD GS FIS
(flat+plate)**

Cod: 8A8010 00 001

Lengths: 184-188 cm
Sidecut: 102-65-87 mm (184)
Radius: >25; >27 m
Binding: Marker WC PISTON Plate
Construction: Sandwich Compound
Sidewall; FIS Racing Construction

**FIREBIRD SL FIS
(flat+plate)**

Cod: 8A8012 00 001

Lengths: 156-165 cm
Sidecut: 116,5-65-101,5 mm (165)
Radius: >13; >13 m
Binding: Marker WC PISTON Plate
Construction: Sandwich Compound
Sidewall; FIS Racing Construction



FIREBIRD GS RACING (flat+plate)

Cod: 8A8014 00 001

Lengths: 170-177-184 cm
Sidecut: 103,5-65-88,5 mm (177 cm)
Radius: >17; >23; >25 m
Binding: Marker WC Piston Plate
Construction: Sandwich Compound Sidewall;
 Wood, Titanium, Racing Construction



FIREBIRD SL RACING (flat+plate)

Cod: 8A8016 00 001

Lengths: 150 cm
Sidecut: 113-65-98 mm
Radius: >12 m
Binding: Marker WC Piston Plate
Construction: Sandwich Compound Sidewall;
 Wood, Titanium, Racing Construction



FIREBIRD GS JR RACING

Cod: 8A8018 00 001 (flat+plate)

Cod: 8A8019 00 001 (flat)

Lengths:
 135-142-149-156-163-170 cm (8A8018 00 001)
 135-142-149 cm (8A8019 00 001)
Sidecut:
 105-65-90 mm (163 cm) (8A8018 00 001)
 105-65-90 mm (149 cm) (8A8019 00 001)
Radius:
 >14; >14; >14; >17; >17; >17 m (8A8018 00 001)
 >14; >14; >14 m (8A8019 00 001)
Binding: Jr Race Plate
Construction: Sandwich Compound Sidewall;
 Wood, Titanium, Racing Construction



FIREBIRD SL JR RACING

Cod: 8A8020 00 001 (flat+plate)

Cod: 8A8021 00 001 (flat)

Lengths:
 122-129-136-143-150 cm (8A8020 00 001)
 122-129 cm (8A8021 00 001)
Sidecut:
 109-64-94 mm (136 cm) (8A8020 00 001)
 109-64-94 mm (129 cm) (8A8021 00 001)
Radius:
 >9; >9; >10; >10; >12 m (8A8020 00 001)
 >9; >9 m (8A8021 00 001)
Construction: Sandwich Compound
 Sidewall;
 Wood, Titanium, Racing Construction



FIREBIRD COMP. JR

Cod: 8A8022 MA 001

Cod: 8A8022 MB 001

Cod: 8A8024 00 001 (flat)

Lengths: 100-110-120-130-140-150 cm
Sidecut: 104-69-91 (100 cm) / 106-69-91 (110 cm)
 111-69-91 (120 cm) / 113-69-93 (130 cm)
 116-70-96 (140 cm) / 118-70-98 (150 cm)
Radius: 7-8-9-10-11-12 m
Binding: FDT JR 7 (8A8022 MA 001)
 FDT JR 4.5 (8A8022 MB 001)
Construction: Sandwich Compound
 Partial Sidewall, Racing Construction



[BLIZZARDSPORTS.COM/FIREBIRD](https://blizzardsports.com/firebird)